



## 3-Way Normally-Closed Pressure Piloted Valve



Designed to be piloted by a Clippard EV or ET manifold mount electronic valve. Output from the EV/ET actuates the valve to produce outputs up to 22 scfm at 100 psig. Combines low wattage, long life and cool running of the EV/ET valves with quick response and high flow of Clippard booster type valves.

The 2020 and 2021 are identical in all respects except one. The 2020 has an external #10-32 (M5) port for the pressure supply to the EV/ET electronic pilot valve. The 2021 has an internal pressure supply to the EV/ET.

**Medium:** Air

**Input Pressure:** 30 to 100 psig; 2.7 to 7 bar max.

**Air Flow:** 22 scfm @ 100 psig; 620 l/min @ 6 bar

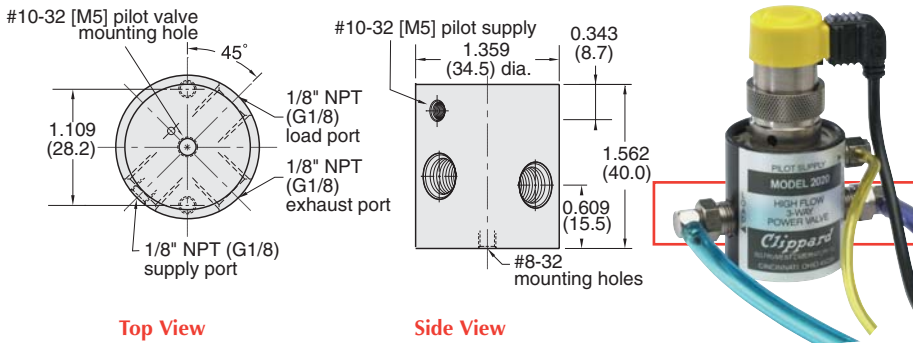
**Pilot Pressure:** 60% of supply pressure, minimum

**Response Time:** Approx. 20 milliseconds

**Mounting:** Mounting holes provided

**Materials:** Anodized aluminum, stainless steel

Part No.	Description
<u>2020</u>	Piloted Valve, 1/8" NPT
<u>2020-MG</u>	Piloted Valve, G1/8
<u>2021</u>	Piloted Valve, 1/8" NPT
<u>2021-MG</u>	Piloted Valve, G1/8

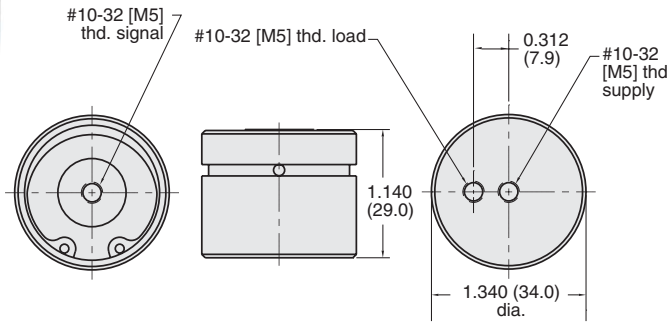


2020 shown with ET Pilot Valve and external pilot supply

## Pressure Piloted Snap Action Amplifying Valve



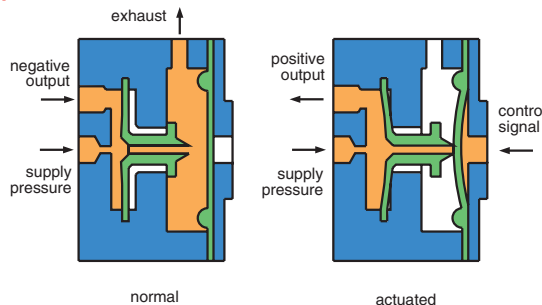
Provides a sharp, clean output signal, even with slow-changing pressure input signals; output is stabilized without chatter or oscillation.



Top View

Side View

Bottom View



**Medium:** Air

**Input Pressure:** 3 to 100 psig; 0.2 to 7 bar max.

**Minimum Pilot Pressure:** 1.5" H<sub>2</sub>O psig

**Maximum Pilot Pressure:** 1 psig (28" H<sub>2</sub>O")

**Air Flow:** 0.18 scfm @ 100 psig; 5 l/min @ 6 bar

**Bleed Orifice Diameter:** 0.010"

Part No.	Description
<u>3200-A</u>	Amplifying Valve, #10-32
<u>3200-A-M5</u>	Amplifying Valve, M5